

5' RAISE SHORELINE OPTION

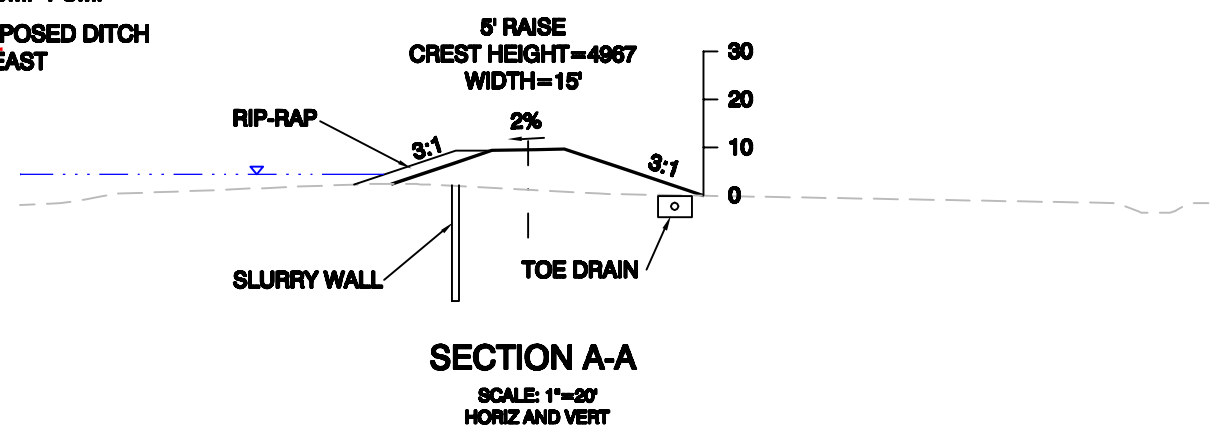
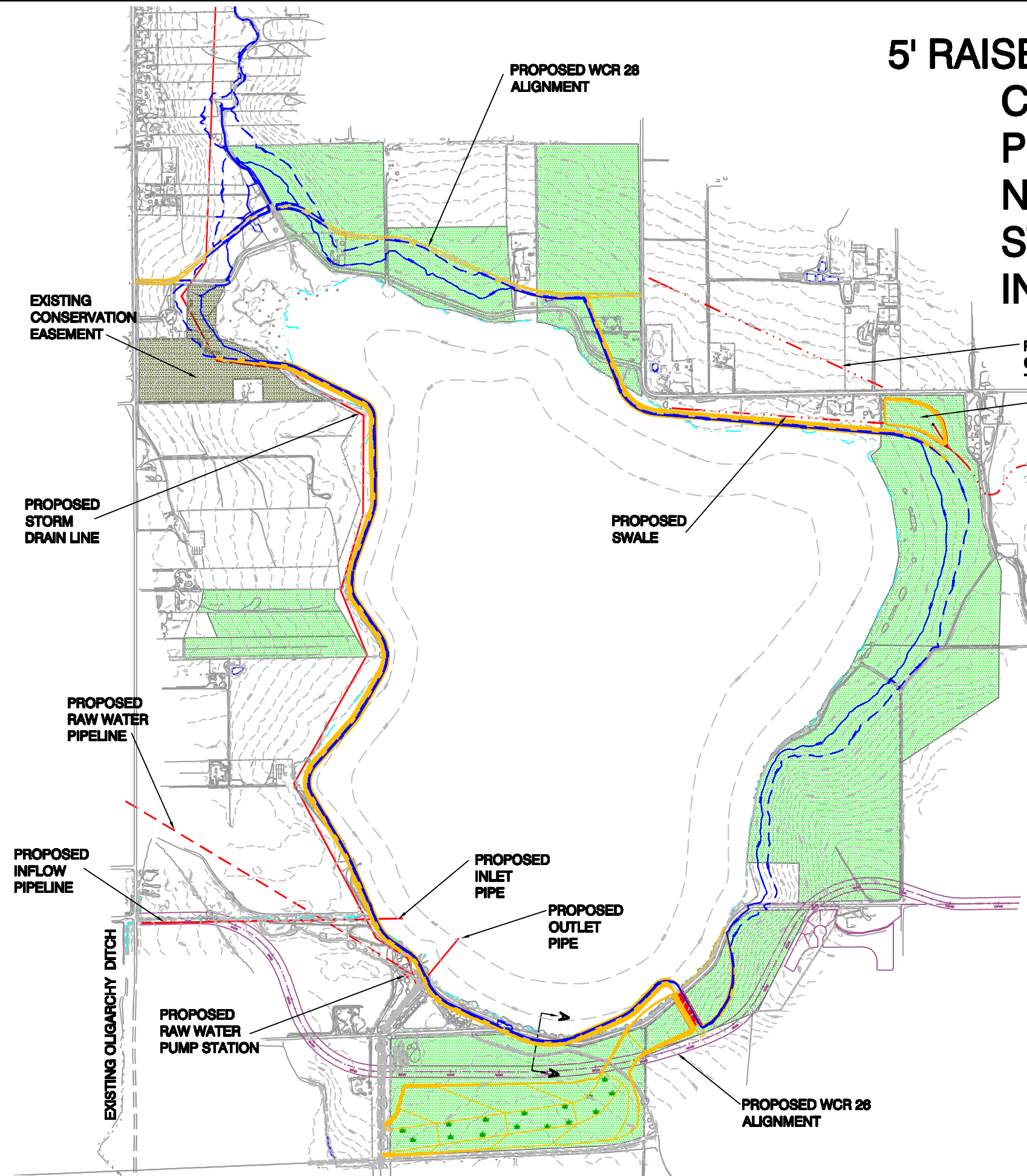
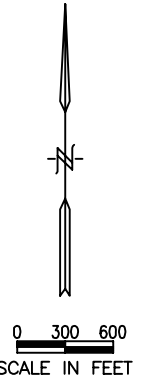
CREST AT 4967

PMF AT 4966

NHWL AT 4962

STORAGE=16,670AC-FT

INCREASE=3,870 AC-FT



LEGEND

- NORMAL HIGH WATER LINE
- - - MAXIMUM FLOOD LINE
- PROPOSED HYDRAULIC IMPROVEMENTS
- - - EXISTING CONTOUR
- DESIGN CONTOUR
- · - · - PROPOSED DITCH OR SWALE
- CITY OWNED PROPERTY
- CITY OWNED CONSERVATION EASEMENT
- ★ ★ ★ PROPOSED WETLANDS

SE0 FILE NO			
REVISIONS			
NO.	DESCRIPTION	DATE	BY
1	ALIGNMENTS	11/09/04	DWD

CITY OF LONGMONT
UNION RESERVOIR
DAM FEASIBILITY STUDY
5' RAISE - SHORELINE OPTION

TETRA TECH RMC
1900 S. SUNSET ST., SUITE 1-F, LONGMONT, CO 80501
TEL. 303.772.5282 METRO 303.685.6283 FAX 303.685.6928

DESIGNED BY: XX	APPROVED BY: DWD	JOB NO.	DWG.
DRAWN BY: RP	DATE: 11-08-04	19-0033.283.00	SHEET: 5.6
CHECKED BY: DWD	SCALE: AS NOTED		